

7856 ES

AC axial compact fan



Nominal data

Type	7856 ES	
Nominal voltage	[VAC]	230
Frequency	[Hz]	50
Speed	[min ⁻¹]	2800
Min. ambient temperature	[°C]	-30
Max. ambient temperature	[°C]	70
Air flow	[m ³ /h]	325
Sound power level	[B]	6,0
Sound pressure level	[dB(A)]	48

ml = max. load · me = max. efficiency · rfa = running at free air · cs = customer specs · cu = customer unit
Subject to alterations

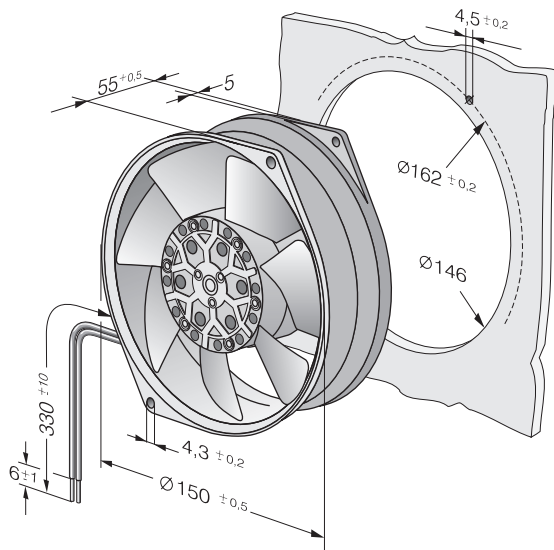
Disponible en GM Electrónica S.A.:
<https://gmelectronica.com.ar>
Av. Rivadavia 2458, CABA
011 4953-0417 - ventas@gmelectronica.com.ar

Technical features

Dimensions	150 Ø x 55 mm
General description	AC fan with external rotor shaded-pole motor.
Connection line	2 single strands. Housing with grounding lug and tapping screw M4 x 6 (TORX).
Direction of protection	Left, looking at rotor
Direction of air flow	Air exhaust over bars
Bearing	Ball bearings
Lifetime L10 at 40 °C	40000 h
Lifetime L10 at maximum temperature	12000 h
Mass	1.100 kg
Housing material	Metal
Material of impeller	Metal
Motor protection	Protected from overload by a thermal switch
Approval	VDE, CSA, UL, CE

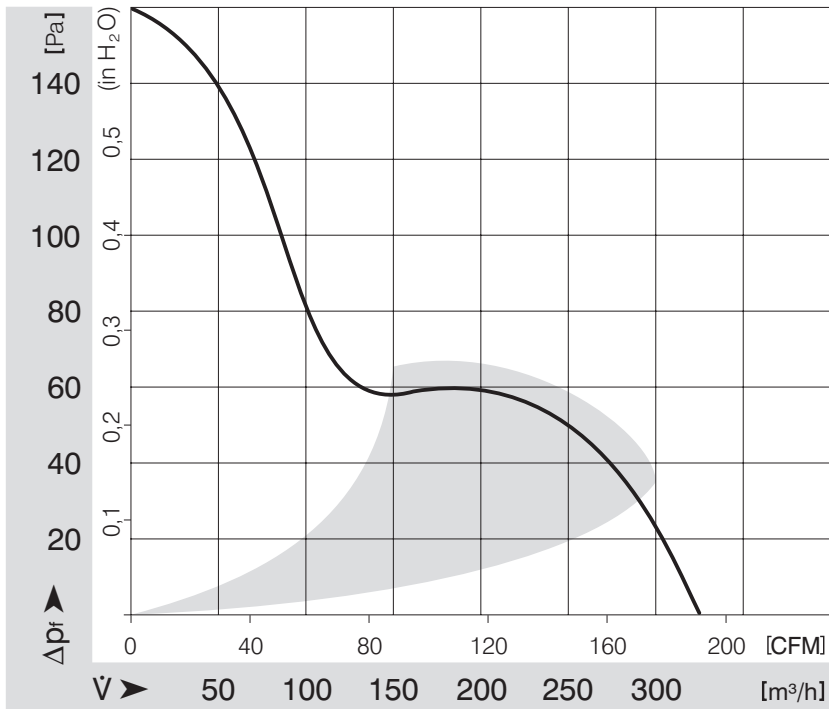
Disponible en GM Electrónica S.A.:
<https://gmelectronica.com.ar>
Av. Rivadavia 2458, CABA
011 4953-0417 - ventas@gmelectronica.com.ar

Product drawing



Disponible en GM Electrónica S.A.:
<https://gmelectronica.com.ar>
Av. Rivadavia 2458, CABA
011 4953-0417 - ventas@gmelectronica.com.ar

Charts: Air flow



Disponible en GM Electrónica S.A.:
<https://gmelectronica.com.ar>
Av. Rivadavia 2458, CABA
011 4953-0417 - ventas@gmelectronica.com.ar