

W2S130 Series

Tubeaxial

150Øx55mm

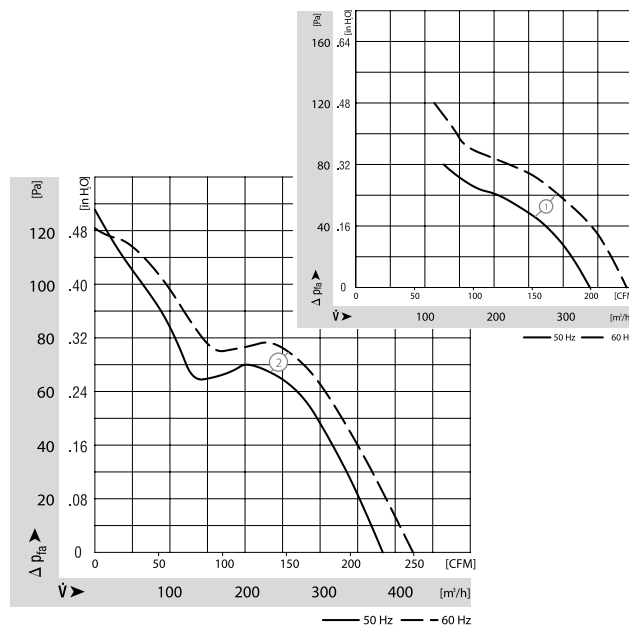
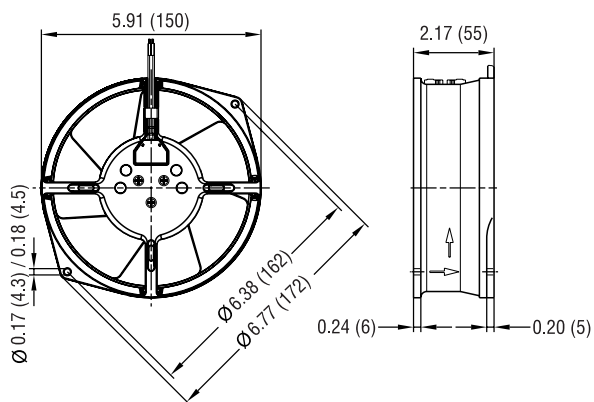


- AC fans with external rotor shaded-pole motor. Impedance protected against overloading.
- Die-cast aluminum housing. Impeller of sheet-steel, directly welded onto rotor.
- Rotational direction CCW looking at rotor.
- Cable length 330 mm as of wall ring.
- UL, CSA, VDE approvals on most models, please contact application engineering.

| Part Number | Curve | CFM @ 0 | VAC | Hertz* | Power (W) | dBA | Max Amb. Temp C | Bearing Type | Features | Wgt. (lbs) |
|----------------|-------|---------|---------|--------|-----------|-----|-----------------|--------------|-----------|------------|
| W2S130-AA25-01 | 1 | 223.6 | 115 | 60* | 38 | 53 | 80 | Ball | Leads | 2.44 |
| W2S130-AA25-44 | 1 | 223.6 | 115 | 60* | 38 | 53 | 80 | Ball | Terminals | 2.44 |
| W2S130-BM15-01 | 2 | 250.1 | 115 | 60* | 46 | 62 | 70 | Ball | Leads | 2.44 |
| W2S130-AA03-01 | 1 | 223.6 | 230 | 60* | 39 | 53 | 70 | Ball | Leads | 2.44 |
| W2S130-AA03-44 | 1 | 223.6 | 230 | 60* | 38 | 53 | 70 | Ball | Terminals | 2.44 |
| W2S130-BM03-01 | 2 | 250.1 | 230 | 60* | 46 | 62 | 70 | Ball | Leads | 2.44 |
| W2S130-AA03-49 | 1 | 223.6 | 115/230 | 50/60 | 38 | 53 | 70 | Ball | Leads | 2.44 |

* 50 Hz data available upon request

| Fan Type | Air Flow |
|-----------|---------------------|
| W2S130-AA | Exhaust over struts |
| W2S130-BM | Intake over struts |



ebmpapst

Conseguilo en GM Electrónica:

<https://gmelectronica.com.ar>

Av. Rivadavia 2458, CABA

011 4953-0417 - ventas@gmelectronica.com.ar