

**ebm-papst Mulfingen GmbH & Co. KG**

Bachmühle 2

74673 Mulfingen

Phone: +49 7938 81-0

Fax: +49 7938 81-110

www.ebmpapst.com

info1@de.ebmpapst.com

**Nominal data**

<b>Type</b>	<b>W2E142-BB05-01</b>		
<b>Motor</b>	<b>M2E052-BA</b>		
Phase		1~	1~
Nominal voltage	[V]	115	115
Frequency	[Hz]	50	60
Type of data definition		rfa	rfa
Valid for approval / standard		CE	CE
Speed	[min <sup>-1</sup> ]	2800	3350
Power input	[W]	27	28
Current draw	[A]	0,24	0.25
Motor capacitor	[µF]	3	3
Capacitor voltage	[VDB]	220	220
Capacitor standard		P0 (CE)	P0 (CE)
Max. ambient temperature	[°C]	55	65
Air flow	[m <sup>3</sup> /h]	320	380
Back pressure	[Pa]	0	0
Sound pressure level	[dB(A)]	51	56

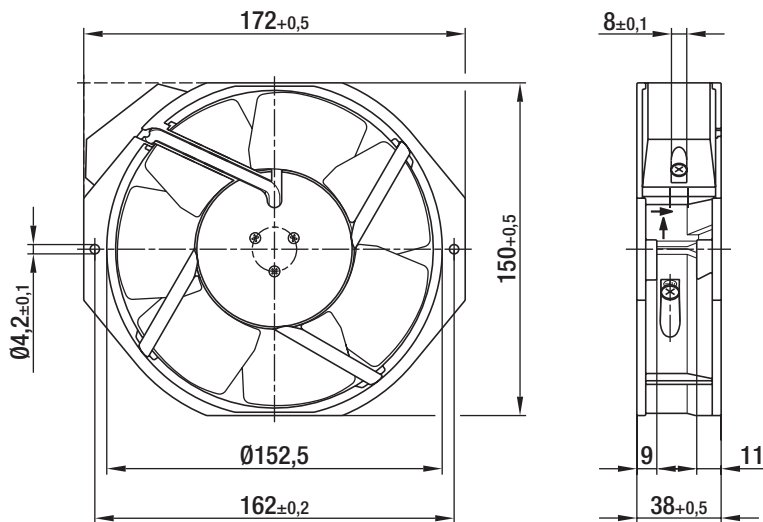
ml = max. load · me = max. efficiency · rfa = running at free air · cs = customer specs · cu = customer unit  
Subject to alterations

### Technical features

Leakage current	< 0,75 mA
Dimensions	142 mm
Size	142 mm
Operation mode	Continuous operation (S1)
Direction of rotation	Counter-clockwise, seen on rotor
Electrical leads	With plug
Direction of air flow	"V"
Insulation class	"B"
Bearing motor	Ball bearing
Mass	0.9 kg
Housing material	Die-cast aluminum, coated in black
Material of impeller	Sheet steel, coated in black
Motor protection	Thermal overload protector (TOP) wired internally
Product conforming to standard	CE
Type of protection	IP 22
Protection class	I
Approval	CCC; CSA C22.2 Nr.13; GOST; UL 507; VDE

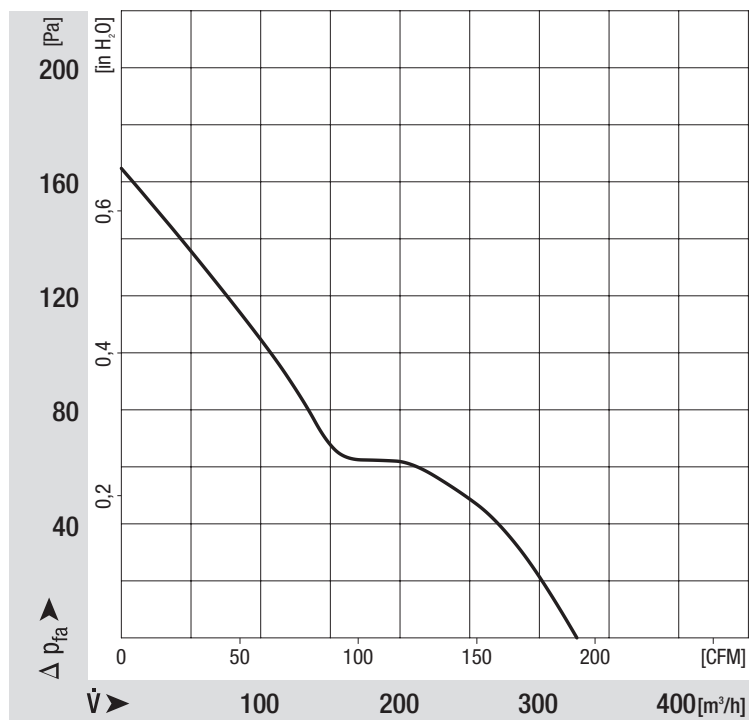
Disponible en GM Electrónica S.A.:  
<https://gmelectronica.com.ar>  
 Av. Rivadavia 2458, CABA  
 011 4953-0417 - [ventas@gmelectronica.com.ar](mailto:ventas@gmelectronica.com.ar)

## Product drawing



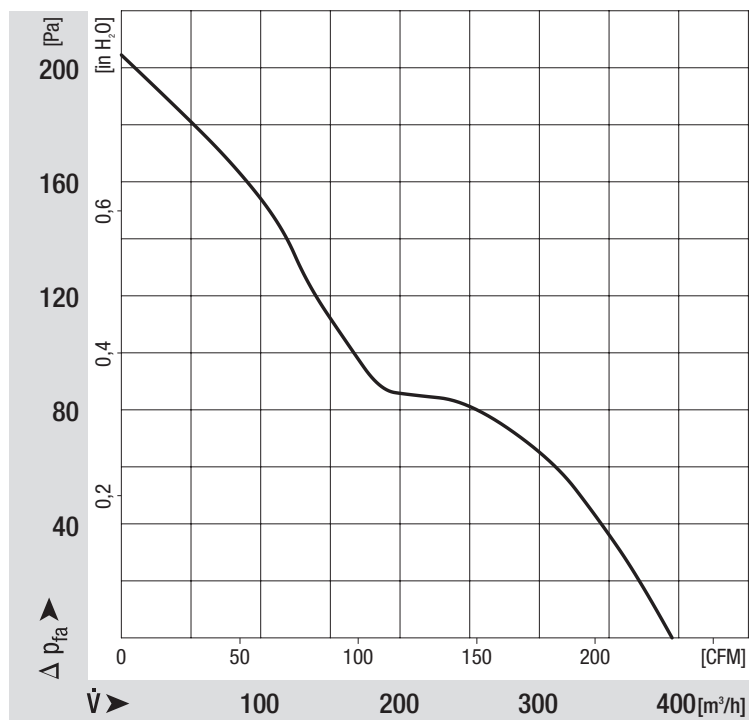
Disponibile en GM Electrónica S.A.:  
<https://gmelectronica.com.ar>  
Av. Rivadavia 2458, CABA  
011 4953-0417 - [ventas@gmelectronica.com.ar](mailto:ventas@gmelectronica.com.ar)

## Charts: Air flow 50 Hz



Disponible en GM Electrónica S.A.:  
<https://gmelectronica.com.ar>  
Av. Rivadavia 2458, CABA  
011 4953-0417 - [ventas@gmelectronica.com.ar](mailto:ventas@gmelectronica.com.ar)

## Charts: Air flow 60 Hz



Disponible en GM Electrónica S.A.:

<https://gmelectronica.com.ar>

Av. Rivadavia 2458, CABA

011 4953-0417 - [ventas@gmelectronica.com.ar](mailto:ventas@gmelectronica.com.ar)