



# Series SPA

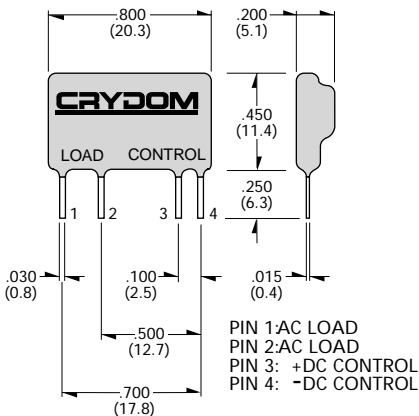
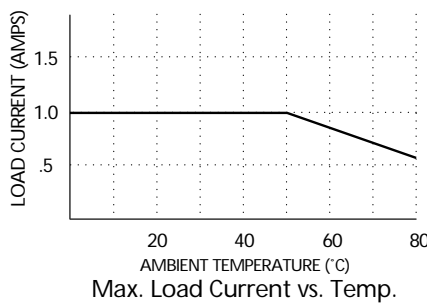
1.0 Amp • 120, 240 Vac • AC Output MINI-SIP

- Compact for High Density PCB Mount
- DC Control, AC Output
- SCR Output
- Crydom's Patented Design
- Zero Cross Switching

The Series SPA solid state relays are rated at 1.0 Amp RMS at ambient temperatures up to 40°C. The compact 4 pin SIP package is perfect for high density printed circuit boards

Manufactured in Crydom's ISO 9001 Certified facility for optimum product performance and reliability.

## CURRENT DERATING CURVE



MODEL NO.	SPA4191	SPA6191
<b>INPUT SPECIFICATIONS</b> ①		
Control Current Range	10-35 mA	10-35 mA
Must Turn On Current	10 mA	10 mA
Must Turn Off Current	1 mA	1 mA
<b>OUTPUT SPECIFICATIONS</b> ①		
Operating Voltage Range (47-63 Hz)	20-140 Vrms	20-280 Vrms
Load Current Range	.025-1.0 Arms	.025-1.0 Arms
Transient Over-Voltage	400 Vpk	600 Vpk
Max. Surge Current, (16.6ms)	30 Apk	30 Apk
Min. Off-State dv/dt @ Max. Rated Voltage ③	500 V/μsec	500 V/μsec
Max. Off-State Leakage @ Rated Voltage	0.01 mArms	0.01 mArms
Max. On-State Voltage Drop @ Rated Current	1.5 Vpk	1.5 Vpk
Max. Turn-On Time	1/2 cycle	1/2 cycle
Max. Turn-Off Time	1/2 cycle	1/2 cycle
Power Factor (Min.) With Max. Load	0.5	0.5
<b>GENERAL SPECIFICATIONS</b>		
Dielectric Strength ②	2500 Vrms	
Insulation Resistance (Min.) @ 500 Vdc ②	10 <sup>9</sup> Ohm	
Max. Capacitance	8.0 pF	
Ambient Operating Temperature Range	-30 to 80°C	
Ambient Storage Temperature Range	-30 to 125°C	
<b>MECHANICAL SPECIFICATIONS</b>		
Weight: (typical)	0.15 oz. (4.3 g)	
Encapsulation:	Thermally Conductive Epoxy	

©2002 CRYDOM CORP, Specifications subject to change without notice.

## GENERAL NOTES

- ① All parameters at 25°C unless otherwise specified.
- ② Dielectric and insulation resistance are measured between input and output.
- ③ Off-State dv/dt test method per EIA/NARM standard RS-443.

Disponibile en GM Electrónica S.A.:  
<https://gmelectronica.com.ar>  
 Av. Rivadavia 2458, CABA  
 011 4953-0417 - [ventas@gmelectronica.com.ar](mailto:ventas@gmelectronica.com.ar)

