

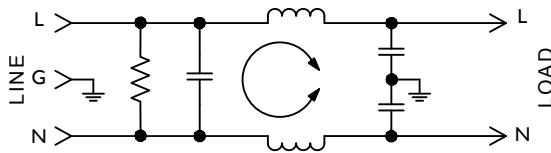
# F2400/2500 RFI Filters



## Features:

- Higher Performance Filters Designed for Common Mode and Differential Mode Applications
- 4X Greater Differential Mode Insertion Loss at 1 MHz than F2100/F2200 Series with No Increase in Physical Size
- Especially Suited for Use with Linear Power Supplies and FCC "A" Applications

## F2400/2500 Simplified Schematic



## Specifications:

**Rated Voltage:** 250VAC Maximum - 50/60 Hz

<b>Rated Current:</b>	115VAC	250VAC
	3A	1.5A
	6A	3A
	10A	10A
	15A	10A

**Current Overload:** 6X for 8 seconds

**Hi-Pot Test (1 min):**

Line to Ground	1500VAC
Line to Line	1768VDC

**Insulation Resistance:**  $9 \times 10^9 \Omega$  at 100VDC

**Ambient Temperature:** 40°C Max. at rated current

**Humidity Range:** 0% to 95% R.H.

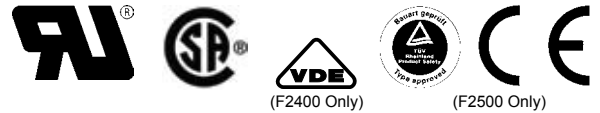
**Termination:**

A: QC – Quick Connect  
C: IEC Receptacle

**Maximum Leakage Current:**

Each Line to Ground	<b>F2400/F2500</b>
115VAC, 60Hz:	0.25mA
250VAC, 50Hz:	0.40mA

**Agency Approvals:**

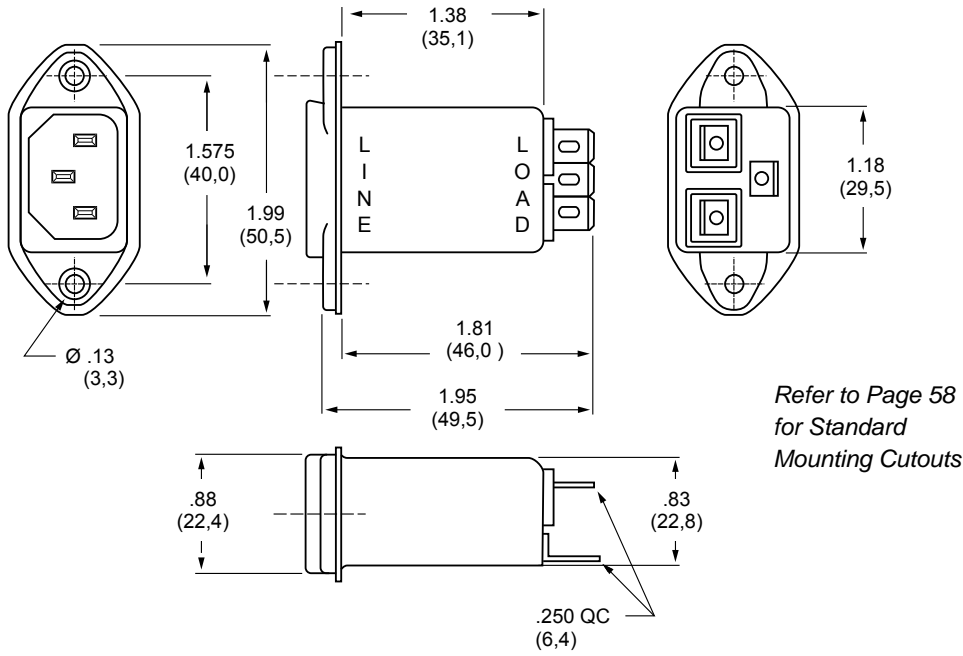


Nominal Current Rating	Part Number	Termination Line/Load	MINIMUM INSERTION LOSS - dB (50 ohm Circuit)						
			MODE	Frequency - MHz					
				.15	.50	1.0	5.0	10	30
3A	F2400CA03 F2500CA03	IEC/QC IEC/QC	Common	22	35	40	46	50	50
			Differential	8	18	24	40	50	40
6A	F2400CA06 F2500CA06	IEC/QC IEC/QC	Common	15	24	31	42	45	50
			Differential	8	18	24	40	50	40
10/15A	F2400CA10 F2400CA15	IEC/QC IEC/QC	Common	4	10	13	28	35	40
			Differential	2	8	15	30	35	35

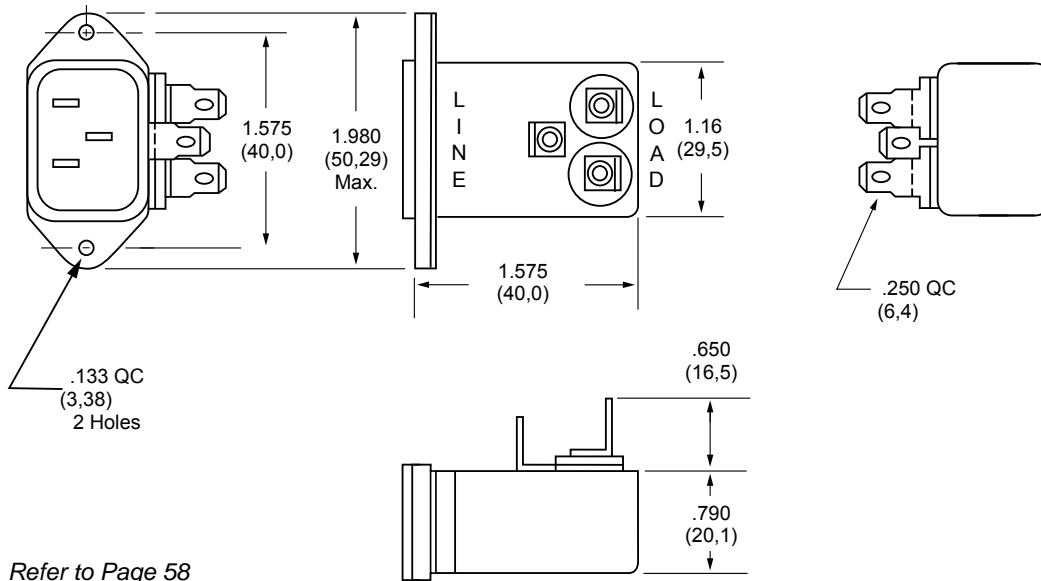
NOTE: Other combinations of terminals may be specified on special order.



**F2400CA** (3, 6, 10 and 15Amp) Dimensions



**F2500CA** (3 and 6Amp) Dimensions

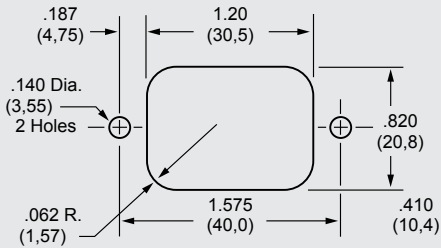


Refer to Page 58 for Standard Mounting Cutouts

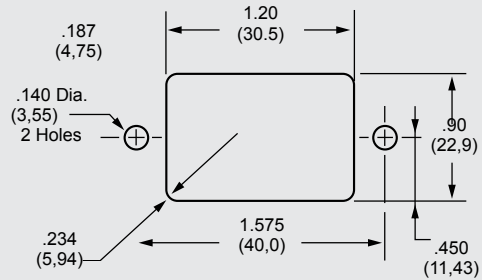


# Standard Mounting Cutouts

## F2199CA, F2200CA, F2300CA, F2400CA, F2500CA, F2700CA, F3100CA, F3200CA, F3400CA, F3500CA

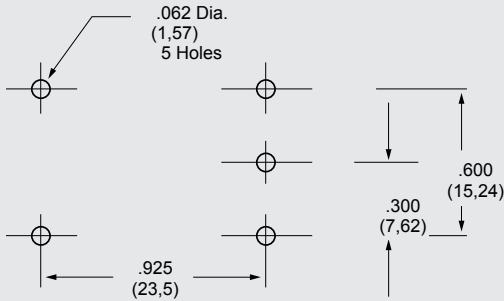


Back Mounting

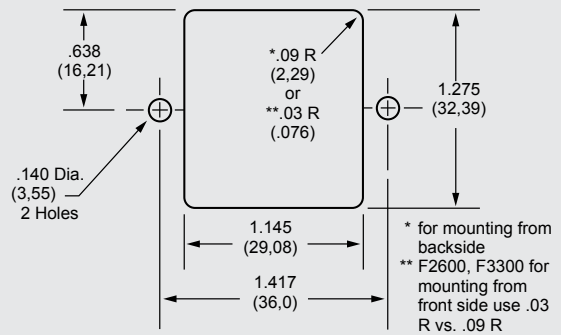


Front Mounting

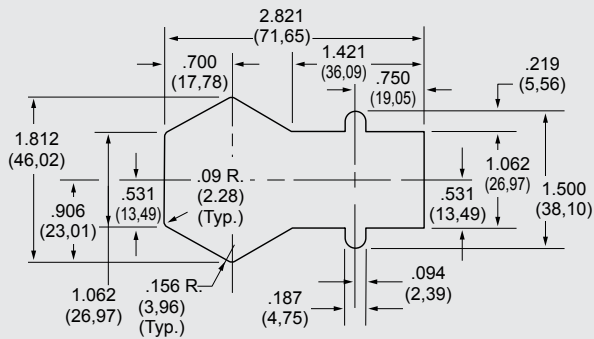
## F2600FP, F3300FP



## F2600, F3300



## F2700FB



## PE1 Screw Mount Series

