



Series ASPF

3.0 Amp • 240 Vac • AC MINI-SIP

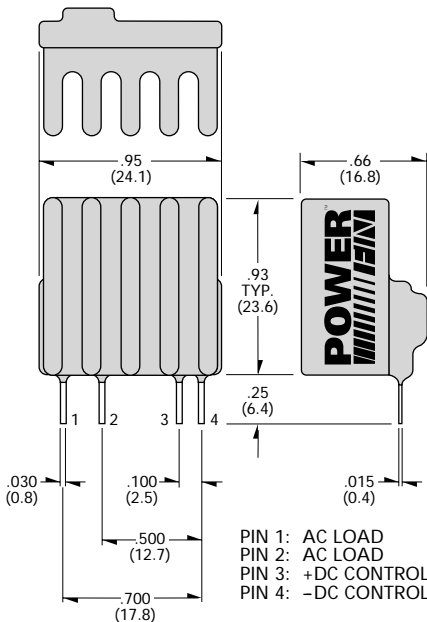
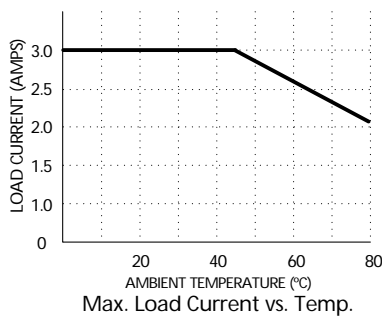
- **Integral Heat Sink Design For High Ratings**
- **DC Control, AC Output**
- **SCR Output**
- **Crydom's Patented Design**

Rated at 3.0 Amps up to 45°C, this SPST-NO AC output SSR is the preferred choice for applications where precise electrical power control is essential. With no mechanical or moving parts the ASPF is perfect for repetitive switching where reliability and durability are required. Zero voltage or random switching (R suffix) versions are offered.

The Series ASPF Solid State Relay incorporates Crydom's patented PowerFin™ design technology with an integral heat sink on the compact Mini-SIP package.

Manufactured in Crydom's ISO 9001 Certified facility for optimum product performance and reliability.

CURRENT DERATING CURVE



All dimensions are in inches (millimeters)

MODEL NO. **ASPF240D3** **ASPF240D3R**

INPUT SPECIFICATIONS ①

Control Voltage Range	4-10 Vdc	4-10 Vdc
Nominal Input Impedance	300 Ohm	300 Ohm
Typical Input Current @ 5 Vdc	15 mAdc	15 mAdc
Must Turn On Voltage	4.0 Vdc	4.0 Vdc
Must Turn Off Voltage	1.0 Vdc	1.0 Vdc

OUTPUT SPECIFICATIONS ①

Operating Voltage Range (47-63 Hz)	24-280 Vrms	24-280 Vrms
Load Current Range	.1 - 3.0 Arms	.1 - 3.0 Arms
Transient Over-Voltage	600 Vpk	600 Vpk
Max. Surge Current, (16.6ms)	40 Apk	40 Apk
Min. Off-State dv/dt @ Max. Rated Voltage ③	500 V/μsec	500 V/μsec
Max. Off-State Leakage @ Rated Voltage	0.1 mArms	0.1 mArms
Max. On-State Voltage Drop @ Rated Current	1.5 Vpk	1.5 Vpk
Max. Turn-On Time	1/2 cycle	0.1 msec
Max. Turn-Off Time	1/2 cycle	1/2 cycle
Power Factor (Min.) With Max. Load	0.5	0.5

GENERAL SPECIFICATIONS

Dielectric Strength ②	3750 Vrms
Insulation Resistance (Min.) @ 500 Vdc ②	10 ⁹ Ohm
Max. Capacitance	8.0 pF
Ambient Operating Temperature Range	-30 to 80°C
Ambient Storage Temperature Range	-30 to 125°C

MECHANICAL SPECIFICATIONS

Weight: (typical)	0.35 oz. (10 g)
Encapsulation:	Thermally Conductive Epoxy

GENERAL NOTES

©2001 CRYDOM, Specifications subject to change without notice.

- ① All parameters at 25°C unless otherwise specified.
- ② Dielectric and insulation resistance are measured between input and output.
- ③ Off-State dv/dt test method per EIA/NARM standard RS-443.

APPROVALS

UL E116950
CSA LR81689



Disponible en GM Electrónica S.A.:

<https://gmelectronica.com.ar>

Av. Rivadavia 2458, CABA

011 4953-0417 - ventas@gmelectronica.com.ar

